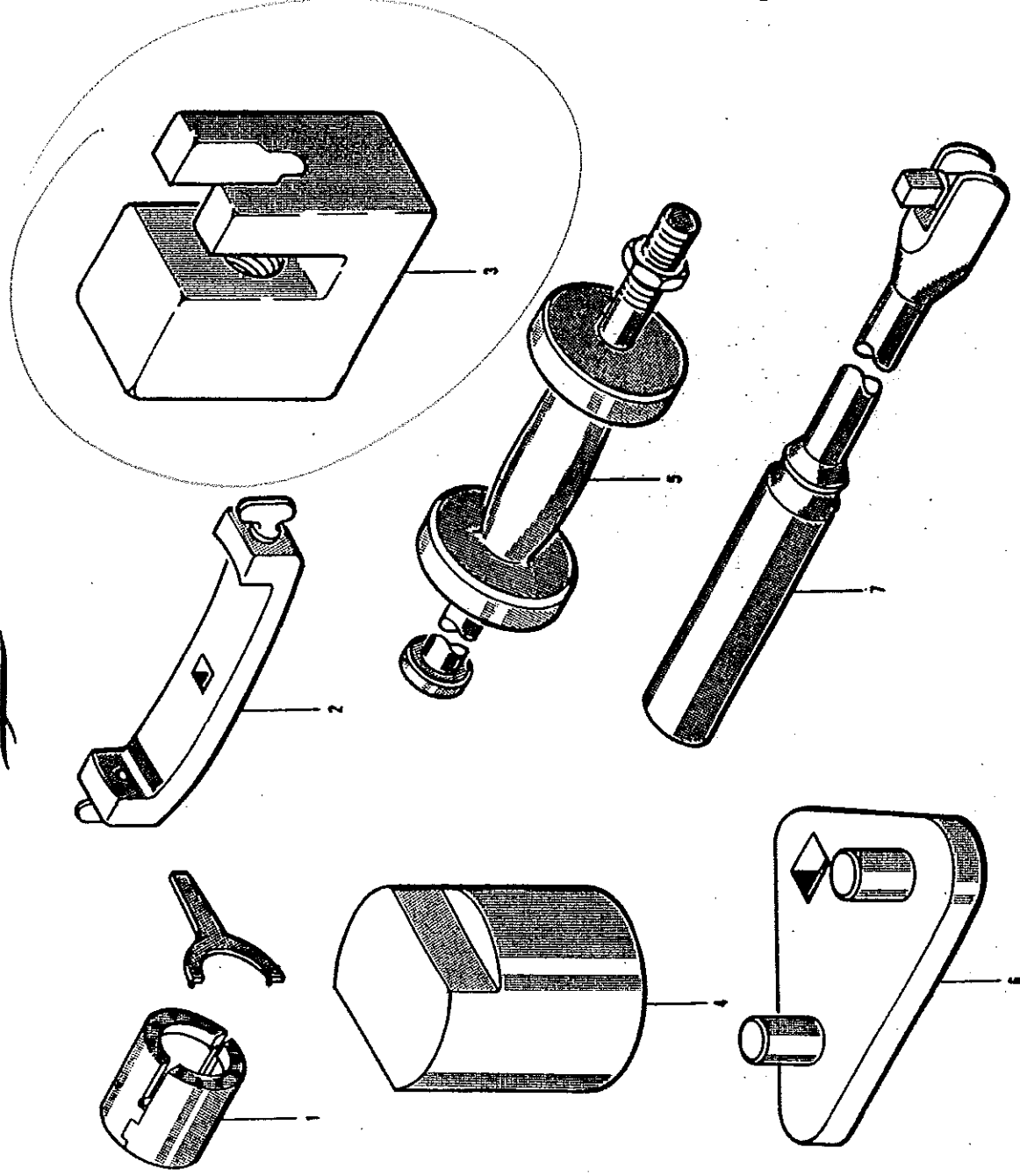


Sodestar

GENERAL INSTRUCTIONS

SECTION 1.0



PART No.	SIZE	PART No.	SIZE
S-20132	2 3/4	S-20119	1 1/4
S-20131	2 1/4	S-20118	1 1/2
S-20130	2 3/8	S-20117	1 3/8
S-20129	2 1/2	S-20116	1 1/2
S-20128	2 3/4	S-20115	1 3/4
S-20127	2	S-20114	1 1/2
S-20126	1 3/4	S-20113	1 3/8
S-20125	1 1/2	S-20112	1 1/4
S-20124	1 3/4	S-20111	1
S-20123	1 1/2	S-20110	3/4
S-20122	1 1/4	S-20109	7/8
S-20121	1 1/2	S-20108	3/4
S-20120	1 1/4	S-20107	3/4
S-20103	1 1/2	S-20105	3/4
S-20102	3/4		

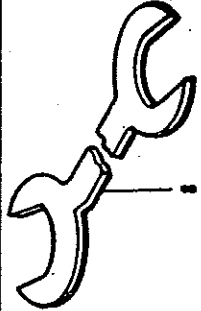


Figure 10 — Service Tools and Equipment